

DEARBORN

SOIL PULVERIZERS

MODELS 11-20, 11-70, 11-71 AND 11-72

PARTS LIST



October, 1949

DEARBORN MOTORS CORPORATION

15050 WOODWARD AVENUE

Detroit 3, Michigan, U. S. A.

DEARBORN *Soil Pulverizers*

GROUP INDEX

<u>Group No.</u>	<u>Name</u>	<u>Page No.</u>
1	DEARBORN SOIL PULVERIZER - Model 11-20	2
1-1	Frame and Tongue Assembly	3
1-2	Gang Assembly	3
2	DEARBORN SINGLE GANG SOIL PULVERIZER - Model 11-70	6
2-1	Frame and Tongue Assembly	7
2-2	Gang Assembly	8
3	DEARBORN SPROCKET SOIL PULVERIZER - Model 11-71 .	10
3-1	Frame and Tongue Assembly	11
3-2	Gang Assembly	12
4	DEARBORN DOUBLE GANG SOIL PULVERIZER - Model 11-72	14
4-1	Frame and Tongue Assembly	15
4-2	Gang Assembly	15

ILLUSTRATION INDEX

<u>Figure No.</u>	<u>Name</u>	<u>Page No.</u>
1	Dearborn Soil Pulverizer - Model 11-20	2
2	Dearborn Single Gang Soil Pulverizer - Model 11-70	6
3	Dearborn Sprocket Soil Pulverizer - Model 11-71 .	10
4	Dearborn Double Gang Soil Pulverizer - Model 11-72	14

DEARBORN

Soil Pulverizers

Model 11-20

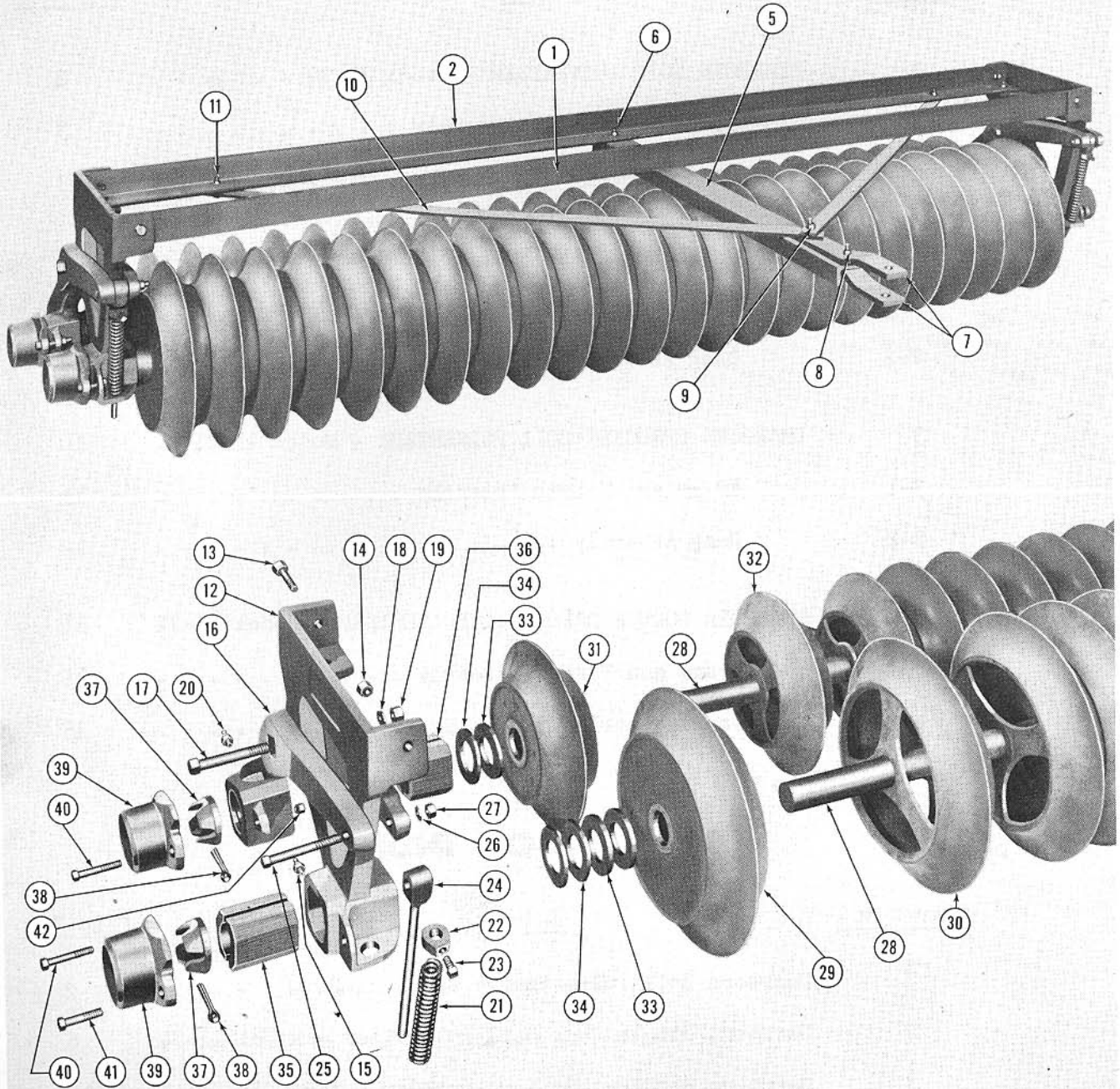


Figure 1 DEARBORN SOIL PULVERIZER - Model 11-20

DEARBORN *Soil Pulverizers*

Model 11-20

FIG. 1	PART NO.	NAME AND DESCRIPTION	QTY. REQ.
<u>Group 1-1 - FRAME & TONGUE ASSEMBLY</u>			
1	110281	MEMBER, Frame, Front	1
2	110282	MEMBER, Frame, Rear	1
5	110288	TONGUE, Hitch	1
6	20431-S7-8	BOLT, 7/16"-20 x 1 1/4" Hex. Hd.)) Tongue to Crossmember . . .
6	33802-S7-8	NUT, 7/16"-20 Hex.)	
7	110287	CLEVIS, Half, Hitch Tongue	2
8	21504-S7-8	BOLT, 7/16"-20 x 2" Hex. Hd.)) Clevis Halves and
8	33802-S7-8	NUT, 7/16"-20 Hex.)	
9	21536-S7-8	BOLT, 7/16"-20 x 2 1/2" Hex. Hd.)) Braces to Tongue
9	33802-S7-8	NUT, 7/16"-20 Hex.)	
10	110289	BRACE, Tongue	2
11	20431-S7-8	BOLT, 7/16"-20 x 1 1/4" Hex. Hd.)) Brace to Crossmember . . .
11	33802-S7-8	NUT, 7/16"-20 Hex.)	
--	22060-S7-8	BOLT, 5/8"-18 x 4" Hex. Hd.)) Tractor Hitch
--	300066	NUT, 5/8"-18 Hex.)	
<u>Group 1-2 - GANG ASSEMBLY</u>			
12	110283	BRACKET, Frame and Front Axle, Right	1
--	110285	BRACKET, Frame and Front Axle, Left	1
13	20471-S7-8	BOLT, 7/16"-20 x 1 1/4" Hex. Hd.)) Bracket to Frame
14	33802-S7-8	NUT, 7/16"-20 Hex.)	
15	350324-S7-8	FITTING, Lube, 1/8"-45° - Frame Bracket	2
16	110302	ARM, Trailer, Right	1
--	110309	ARM, Trailer, Left	1
17	22060-S7-8	BOLT, 5/8"-18 x 4" Hex. Hd.)) Arm to Bracket
18	34811-S7-8	LOCKWASHER, 5/8")	
19	300066	NUT, 5/8"-18 Hex.)	
20	353027-S7-8-A1	FITTING, Lube, 1/8" - Trailer Arm	2
21	110306	SPRING, Adjusting	2
22	110307	COLLAR, Adjusting Spring	2
23	91405-S	SET SCREW, 7/16"-14 x 3/4" Sq. Hd. - Collar	2
24	110305	ROD, Spring Guide	2
25	21584-S7-8	BOLT, 7/16"-20 x 3 3/4" Hex. Hd.)) Rod to Arm
26	34808-S7-8	LOCKWASHER, 7/16")	
27	33802-S7-8	NUT, 7/16"-20 Hex.)	

DEARBORN

Soil Pulverizers

Model 11-20

FIG. 1	PART NO.	NAME AND DESCRIPTION	QTY. REQ.
<u>Group 1-2 - GANG ASSEMBLY (Cont'd.)</u>			
28	110292	SHAFT, Axle, 1 3/4" x 8'-11 3/4"	2
29	110293	ROLLER, Pulverizer (15" Closed Type)	2
30	110294	ROLLER, Pulverizer (15" Open Type)	22
31	110299	ROLLER, Pulverizer (12" Closed Type)	2
32	110300	ROLLER, Pulverizer (12" Open Type)	23
33	110295	WASHER, Thrust, 3/8" x 1 13/16" x 3 3/8"	6
34	110296	WASHER, Thrust, 3/16" x 1 13/16" x 3 3/8"	6
35	110284	BEARING, Wood, Frame Bracket, 3 5/8" Long	2
36	110303	BEARING, Wood, Arm, 2 5/8" Long	2
37	110297	WASHER, Adjusting	4
38	72149-S7-8	COTTER PIN, 3/8" x 2 1/2" - Adj. Washer	4
39	110290	CAP, Dust	4
40	21536-S7-8	BOLT, 7/16"-20 x 2 1/2" Hex. Hd.)	6
41	21504-S7-8	BOLT, 7/16"-20 x 2" Hex. Hd.) Dust Cap to Bracket & Arm .	2
42	33802-S7-8	NUT, 7/16"-20 Hex.)	8

DEARBORN

Soil Pulverizers

Model 11-70

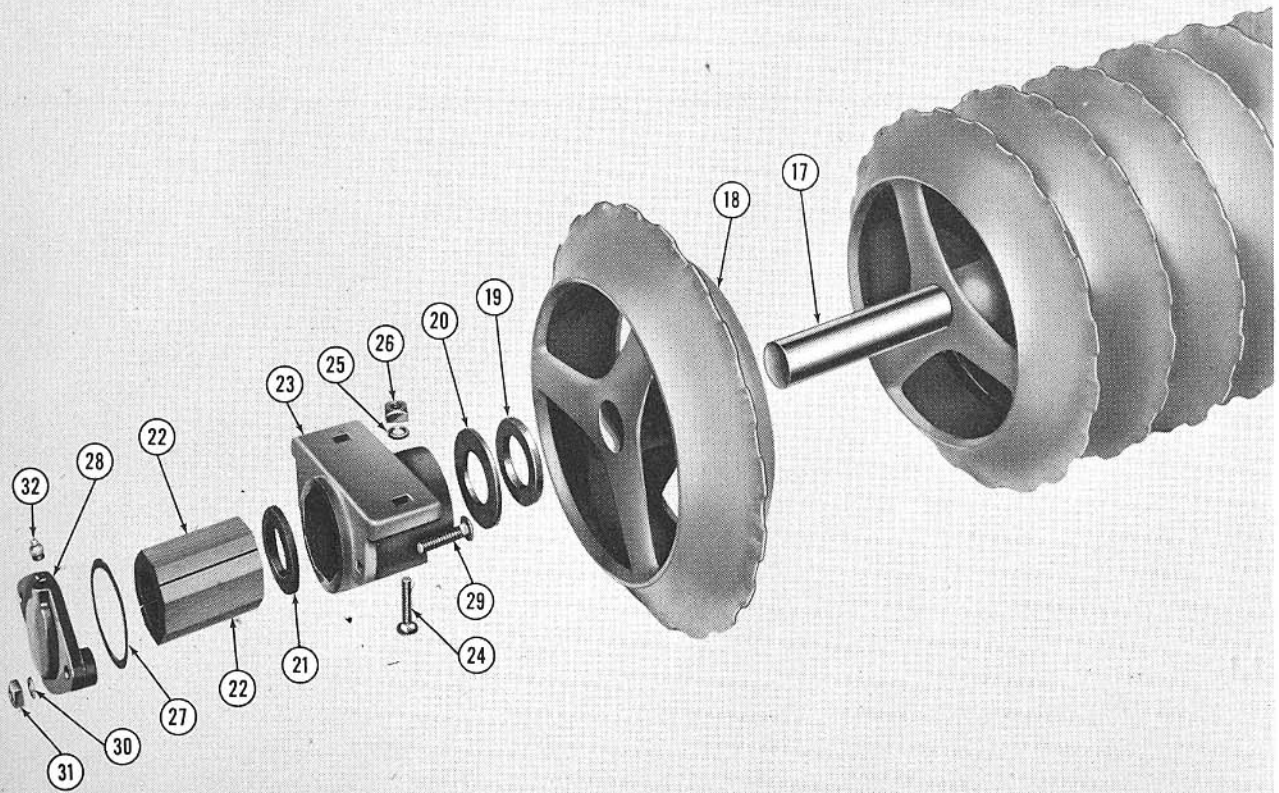
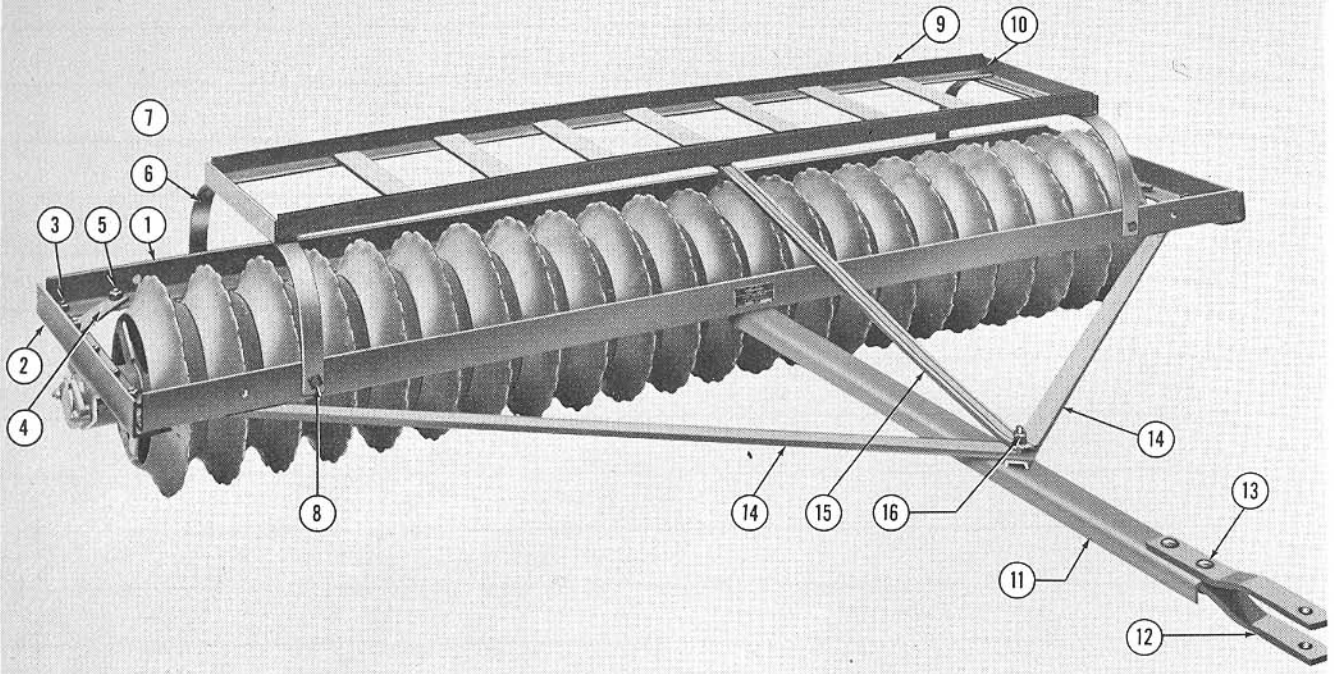


Figure 2 DEARBORN SINGLE GANG SOIL PULVERIZER - Model 11-70

DEARBORN *Soil Pulverizers*

Model 11-70

FIG. 2	PART NO.	NAME AND DESCRIPTION	QTY. REQ.
<u>Group 2-1 - FRAME & TONGUE ASSEMBLY</u>			
1	111929	MEMBER, Frame, Front and Rear	2
2	111933	MEMBER, Frame, Side	2
3	23020-S	BOLT, $\frac{1}{2}$ "-13 x $1\frac{1}{4}$ " Sq. Hd.)	
3	34809-S	LOCKWASHER, $\frac{1}{2}$ ") Side Member	4
3	34099-S	NUT, $\frac{1}{2}$ "-13 Sq.)	
4	111957	BRACE, Corner, Frame	4
5	23020-S	BOLT, $\frac{1}{2}$ "-13 x $1\frac{1}{4}$ " Sq. Hd.)	
5	34809-S	LOCKWASHER, $\frac{1}{2}$ ") Corner Brace	8
5	34099-S	NUT, $\frac{1}{2}$ "-13 Sq.)	
6	111966	BRACKET, Weight Box	2
7	111939	MEMBER, Weight Box, Side (Angle)	2
-	61009-S	RIVET, 3/8" x 7/8" Oval Hd. - Bracket to Member	2
8	23020-S	BOLT, $\frac{1}{2}$ "-13 x $1\frac{1}{4}$ " Sq. Hd.)	
8	34809-S	LOCKWASHER, $\frac{1}{2}$ ") Bracket to Frame	4
8	34099-S	NUT, $\frac{1}{2}$ "-13 Sq.)	
9	112005	BOX ASSEMBLY, Weight	1
10	23440-S	BOLT, 3/8"-16 x $1\frac{1}{4}$ " Carr.)	
10	34807-S	LOCKWASHER, 3/8") Weight Box to Bracket	4
10	34097-S	NUT, 3/8"-16 Sq.)	
11	111942	TONGUE, Hitch	1
-	23020-S	BOLT, $\frac{1}{2}$ "-13 x $1\frac{1}{4}$ " Sq. Hd.)	
-	34809-S	LOCKWASHER, $\frac{1}{2}$ ") Tongue to Frame	1
-	34099-S	NUT, $\frac{1}{2}$ "-13 Sq.)	
12	112019	CLEVIS HALF, Hitch Tongue	2
13	23474-S	BOLT, $\frac{1}{2}$ "-13 x $1\frac{1}{2}$ " Carr.)	
13	34809-S	LOCKWASHER, $\frac{1}{2}$ ") Clevis Half to Tongue	2
13	34099-S	NUT, $\frac{1}{2}$ "-13 Sq.)	
14	111943	BRACE, Tongue	2
15	111940	BRACE, Tongue, Weight Box	1
-	23020-S	BOLT, $\frac{1}{2}$ "-13 x $1\frac{1}{4}$ " Sq. Hd.)	
-	34809-S	LOCKWASHER, $\frac{1}{2}$ ") Braces to Frame	3
-	34099-S	NUT, $\frac{1}{2}$ "-13 Sq.)	
16	23060-S	BOLT, $\frac{1}{2}$ "-13 x $2\frac{1}{4}$ " Sq. Hd.)	
16	34809-S	LOCKWASHER, $\frac{1}{2}$ ") Braces to Tongue	1
16	34099-S	NUT, $\frac{1}{2}$ "-13 Sq.)	
-	111962	PIN, Drop, Hitch	1
-	72073-S	COTTER PIN, 3/16" x $1\frac{1}{2}$ " - Drop Pin	1

DEARBORN

Soil Pulverizers

Model 11-70

FIG. 2	PART NO.	NAME AND DESCRIPTION	QTY. REQ.
<u>Group 2-2 - GANG ASSEMBLY</u>			
17	111948	SHAFT, Axle, 1 3/4" x 8'	1
18	111921	ROLLER, Pulverizer	22
19	111915	SPACER, Axle, 5/16" x 1 13/16" x 3"	2
20	111965	WASHER, 5/32" x 1 13/16" x 3 1/2" Flat	2
21	111964	SEAL, 1 1/4" x 1 3/4" x 2 7/8" Felt Dirt.	2
22	111963	BEARING, Half, Wood	4
23	111917	BOX, Bearing	2
24	23474-S	BOLT, 1/2"-13 x 1 1/2" Carr.)	
25	34809-S	LOCKWASHER, 1/2") Bearing Box to Frame	4
26	34099-S	NUT, 1/2"-13 Sq.)	
27	112012	GASKET, Bearing Cap	2
28	111919	CAP, Bearing	2
29	23500-S	BOLT, 3/8"-16 x 1 3/4" Carr.)	
30	34807-S	LOCKWASHER, 3/8") Bearing Cap to Box	4
31	34097-S	NUT, 3/8"-16 Sq.)	
32	353027-S7-8	FITTING, Lube, 1/8" x 3/4" - Bearing Cap	2

DEARBORN *Soil Pulverizers*

Model 11-71

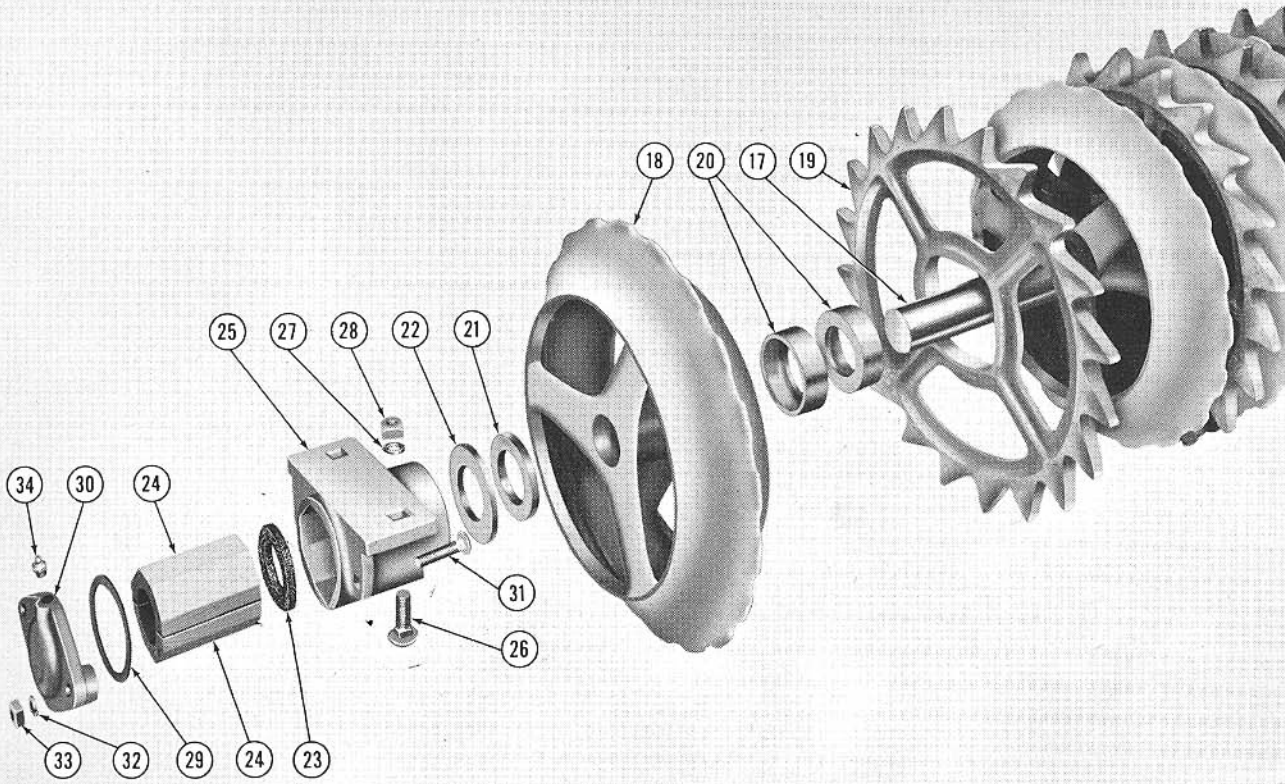
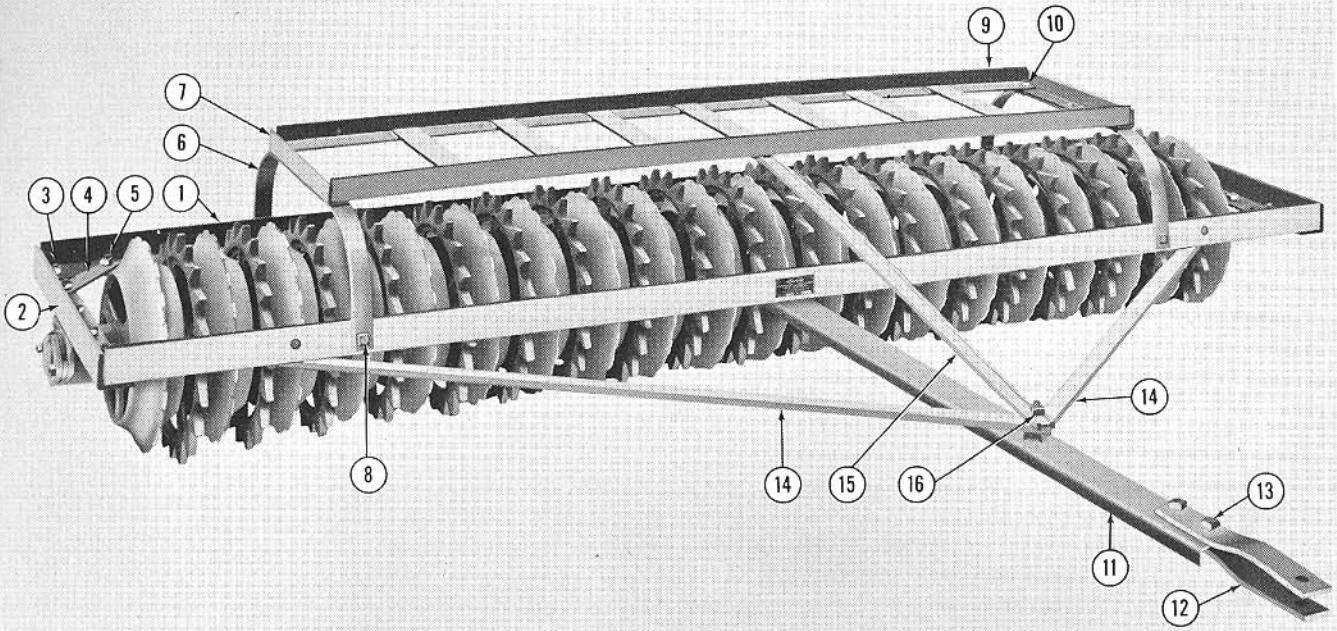


Figure 3 DEARBORN SPROCKET SOIL PULVERIZER -- Model 11-71

DEARBORN

Soil Pulverizers

Model 11-71

FIG. 3	PART NO.	NAME AND DESCRIPTION	QTY. REQ.
<u>Group 3-1 - FRAME & TONGUE ASSEMBLY</u>			
1	111930	MEMBER, Frame, Front and Rear	2
2	111933	MEMBER, Frame, Side	2
3	23020-S	BOLT, $\frac{1}{2}$ "-13 x $1\frac{1}{4}$ " Sq. Hd.)	
3	34809-S	LOCKWASHER, $\frac{1}{2}$ ") Side Member	4
3	34099-S	NUT, $\frac{1}{2}$ "-13 Sq.)	
4	111957	BRACE, Corner, Frame	4
5	23020-S	BOLT, $\frac{1}{2}$ "-13 x $1\frac{1}{4}$ " Sq. Hd.)	
5	34809-S	LOCKWASHER, $\frac{1}{2}$ ") Corner Brace	8
5	34099-S	NUT, $\frac{1}{2}$ "-13 Sq.)	
6	111966	BRACKET, Weight Box	2
7	111939	MEMBER, Weight Box, Side (Angle)	2
-	61009-S	RIVET, $\frac{3}{8}$ " x $7\frac{7}{8}$ " Oval Hd. - Bracket to Member	2
8	23020-S	BOLT, $\frac{1}{2}$ "-13 x $1\frac{1}{4}$ " Sq. Hd.)	
8	34809-S	LOCKWASHER, $\frac{1}{2}$ ") Bracket to Frame	4
8	34099-S	NUT, $\frac{1}{2}$ "-13 Sq.)	
9	112005	BOX ASSEMBLY, Weight	1
10	23440-S	BOLT, $\frac{3}{8}$ "-16 x $1\frac{1}{4}$ " Carr.)	
10	34807-S	LOCKWASHER, $\frac{3}{8}$ ") Weight Box to Bracket	4
10	34097-S	NUT, $\frac{3}{8}$ "-16 Sq.)	
11	111942	TONGUE, Hitch	1
--	23020-S	BOLT, $\frac{1}{2}$ "-13 x $1\frac{1}{4}$ " Sq. Hd.)	
--	34809-S	LOCKWASHER, $\frac{1}{2}$ ") Tongue to Frame	1
--	34099-S	NUT, $\frac{1}{2}$ "-13 Sq.)	
12	112019	CLEVIS HALF, Hitch Tongue	2
13	23474-S	BOLT, $\frac{1}{2}$ "-13 x $1\frac{1}{2}$ " Carr.)	
13	34809-S	LOCKWASHER, $\frac{1}{2}$ ") Clevis Half to Tongue	2
13	34099-S	NUT, $\frac{1}{2}$ "-13 Sq.)	
14	111943	BRACE, Tongue	2
15	111940	BRACE, Tongue, Weight Box	1
--	23020-S	BOLT, $\frac{1}{2}$ "-13 x $1\frac{1}{4}$ " Sq. Hd.)	
--	34809-S	LOCKWASHER, $\frac{1}{2}$ ") Braces to Frame	3
--	34099-S	NUT, $\frac{1}{2}$ "-13 Sq.)	
16	23060-S	BOLT, $\frac{1}{2}$ "-13 x $2\frac{1}{4}$ " Sq. Hd.)	
16	34809-S	LOCKWASHER, $\frac{1}{2}$ ") Braces to Tongue	1
16	34099-S	NUT, $\frac{1}{2}$ "-13 Sq.)	
--	111962	PIN, Drop, Hitch	1
--	72073-S	COTTER PIN, $\frac{3}{16}$ " x $1\frac{1}{2}$ " - Drop Pin	1

DEARBORN

Soil Pulverizers

Model 11-71

FIG. 3	PART NO.	NAME AND DESCRIPTION	QTY. REQ.
<u>Group 3-2 - GANG ASSEMBLY</u>			
17	111949	SHAFT, Axle, 1 3/4" x 9'	1
18	111921	ROLLER, Pulverizer	20
19	111922	SPROCKET, Pulverizer	19
20	111916	COLLAR, Sprocket	38
21	111915	SPACER, Axle, 5/16" x 1 13/16" x 3"	2
22	111965	WASHER, 5/32" x 1 13/16" x 3 1/2" Flat	2
23	111964	SEAL, 1 1/4" x 1 3/4" x 2 7/8" Felt Dirt.	2
24	111963	BEARING, Half, Wood	4
25	111917	BOX, Bearing	2
26	23474-S	BOLT, 1/2"-13 x 1 1/2" Carr.)	
27	34809-S	LOCKWASHER, 1/2") Bearing Box to Frame	4
28	34099-S	NUT, 1/2"-13 Sq.)	
29	112012	GASKET, Bearing Cap	2
30	111919	CAP, Bearing	2
31	23500-S	BOLT, 3/8"-16 x 1 3/4" Carr.)	
32	34807-S	LOCKWASHER, 3/8") Bearing Cap to Box	4
33	34097-S	NUT, 3/8"-16 Sq.)	
34	353027-S7-8	FITTING, Lube, 1/8" x 3/4" - Bearing Cap	2

DEARBORN

Soil Pulverizers

Model 11-72

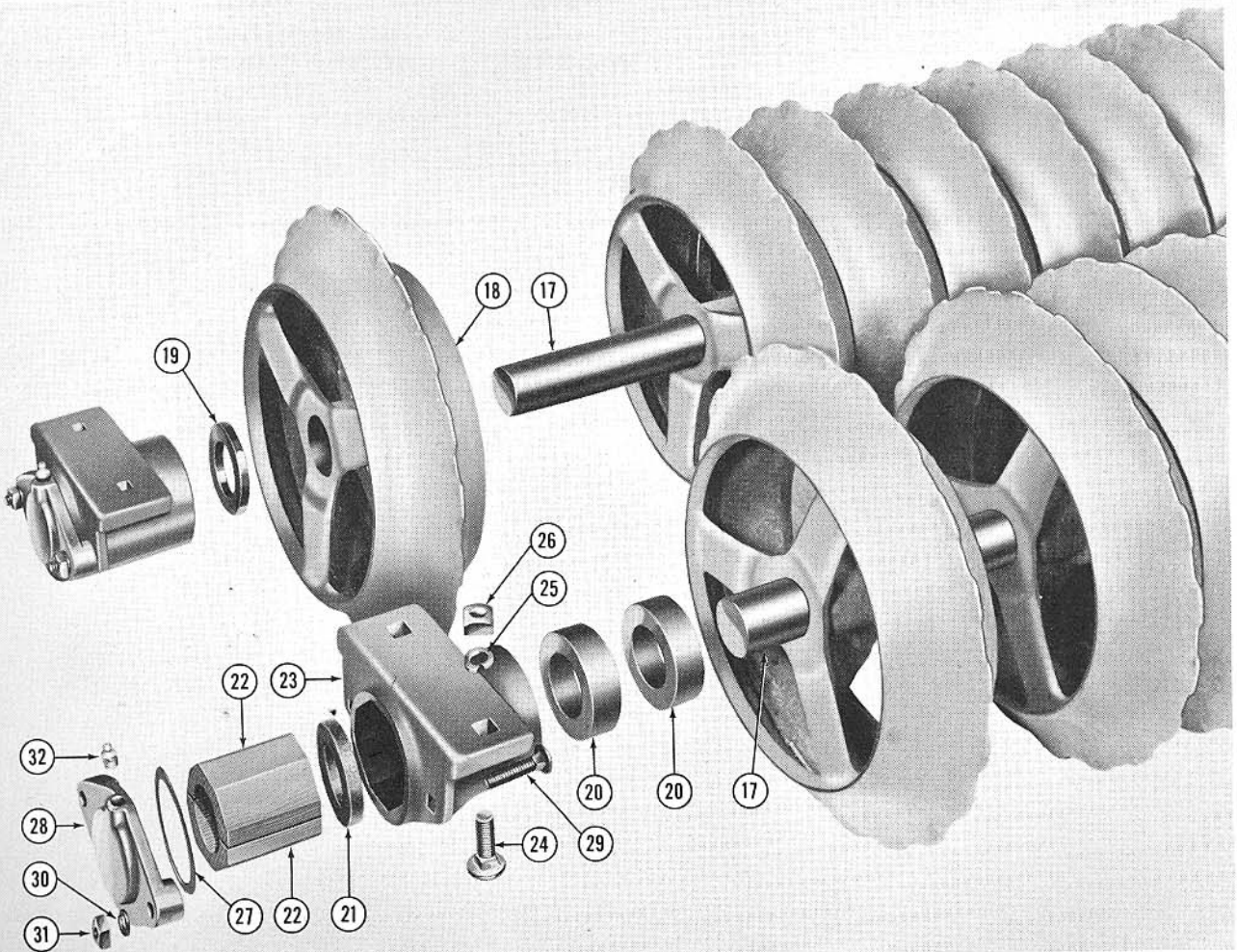
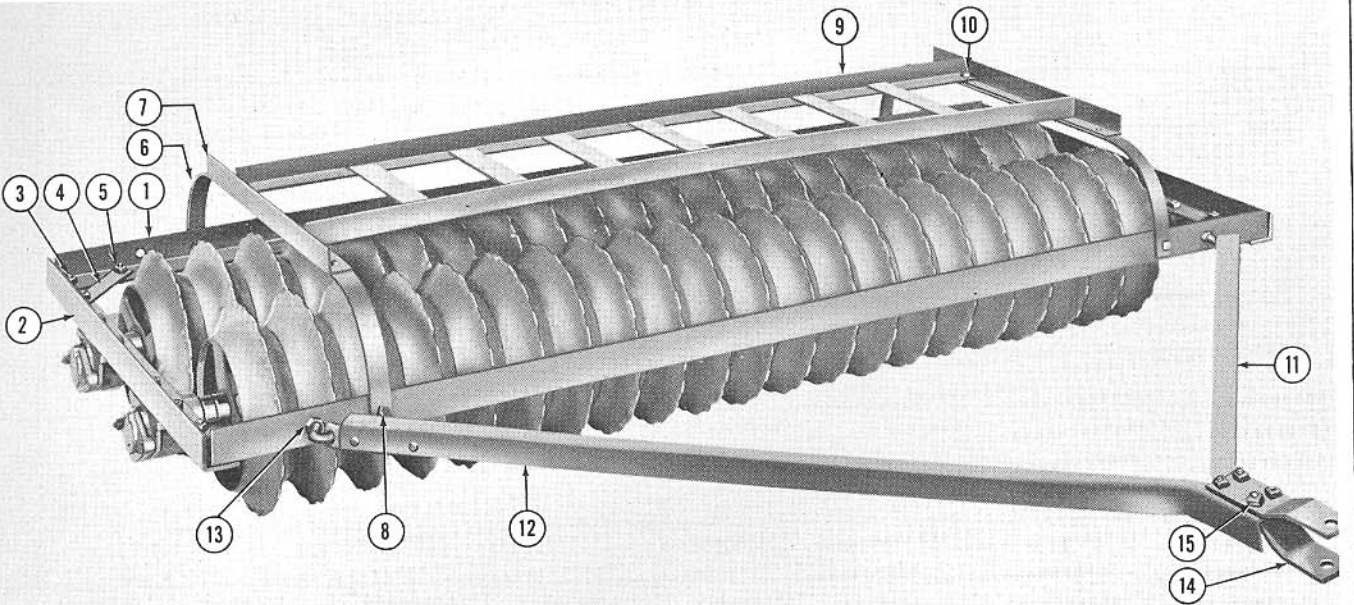


Figure 4 DEARBORN DOUBLE GANG SOIL PULVERIZER - Model 11-72

DEARBORN

Soil Pulverizers

Model 11-72

FIG. 4	PART NO.	NAME AND DESCRIPTION	QTY. REQ.
<u>Group 4-1 - FRAME & TONGUE ASSEMBLY</u>			
1	111929	MEMBER, Frame, Front and Rear	2
2	111932	MEMBER, Frame, Side	2
3	23020-S	BOLT, 1/2"-13 x 1 1/4" Sq. Hd.)	
3	34809-S	LOCKWASHER, 1/2") Side Member	4
3	34099-S	NUT, 1/2"-13 Sq.)	
4	111957	BRACE, Corner, Frame	4
5	23020-S	BOLT, 1/2"-13 x 1 1/4" Sq. Hd.)	
5	34809-S	LOCKWASHER, 1/2") Corner Brace	8
5	34099-S	NUT, 1/2"-13 Sq.)	
6	111955	BRACKET, Weight Box	2
7	111938	MEMBER, Weight Box, Side	2
-	61009-S	RIVET, 3/8" x 7/8" Oval Hd. - Bracket to Member	4
8	23020-S	BOLT, 1/2"-13 x 1 1/4" Sq. Hd.)	
8	34809-S	LOCKWASHER, 1/2") Bracket to Frame	4
8	34099-S	NUT, 1/2"-13 Sq.)	
9	112005	BOX ASSEMBLY, Weight	1
10	23440-S	BOLT, 3/8"-16 x 1 1/4" Carr.)	
10	34807-S	LOCKWASHER, 3/8") Weight Box to Bracket	4
10	34097-S	NUT, 3/8"-16 Sq.)	
11	112015	DRAWBAR ASSEMBLY, Left	1
12	112017	DRAWBAR ASSEMBLY, Right	1
		Consists of Drawbar, Strap and Eyebolt which are not serviced separately.	
--	34811-S	LOCKWASHER, 5/8")	2
13	34101-S	NUT, 5/8"-11 Hex.) Drawbar Eyebolt to Frame	4
14	111952	CLEVIS, Half, Drawbar	2
15	23035-S	BOLT, 7/16"-14 x 1 1/2" Sq. Hd.)	
15	34808-S	LOCKWASHER, 7/16") Clevis Halves to Drawbar . .	4
15	34098-S	NUT, 7/16"-14 Sq.)	
--	111962	PIN, Drop, Hitch	1
--	72073-S	COTTER PIN, 3/16" x 1 1/2" - Drop Pin	1
<u>Group 4-2 - GANG ASSEMBLY</u>			
17	111948	SHAFT, Axle, 1 3/4" x 8'	2
18	111921	ROLLER, Pulverizer	43
19	111915	SPACER, Axle, 5/16" x 1 13/16" x 3"	2

DEARBORN

Soil Pulverizers

Model 11-72

FIG. 4	PART NO.	NAME AND DESCRIPTION	QTY. REQ.
<u>Group 4-2 - GANG ASSEMBLY (Cont'd.)</u>			
20	111916	COLLAR, Sprocket	4
21	111964	SEAL, 1 1/4" x 1 3/4" x 2 7/8" Felt Dirt.	4
22	111963	BEARING, Half, Wood	8
23	111917	BOX, Bearing	4
24	23474-S	BOLT, 1/2"-13 x 1 1/2" Carr.)	
25	34809-S	LOCKWASHER, 1/2") Bearing Box to Frame	8
26	34099-S	NUT, 1/2"-13 Sq.)	
27	112012	GASKET, Bearing Cap	4
28	111919	CAP, Bearing	4
29	23500-S	BOLT, 3/8"-16 x 1 3/4" Carr.)	
30	34807-S	LOCKWASHER, 3/8") Bearing Cap to Box	8
31	34097-S	NUT, 3/8"-16 Sq.)	
32	353027-S7-8	FITTING, Lube, 1/8" x 3/4" - Bearing Cap	4

NUMERICAL INDEX

PART NO.	PART NAME	PAGE NO.	PART NO.	PART NAME	PAGE NO.
110281	MEMBER	3	111930	MEMBER	11
110282	MEMBER	3	111932	MEMBER	15
110283	BRACKET	3	111933	MEMBER	7, 11
110284	BEARING	4	111938	MEMBER	15
110285	BRACKET	3	111939	MEMBER	7, 11
110287	CLEVIS	3			
110288	TONGUE	3	111940	BRACE	7, 11
110289	BRACE	3	111942	TONGUE	7, 11
			111943	BRACE	7, 11
110290	CAP	4	111948	SHAFT	8, 15
110292	SHAFT	4	111949	SHAFT	12
110293	ROLLER	4			
110294	ROLLER	4	111952	CLEVIS	15
110295	WASHER	4	111955	BRACKET	15
110296	WASHER	4	111957	BRACE	7, 11, 15
110297	WASHER	4			
110299	ROLLER	4	111962	PIN	7, 11, 15
			111963	BEARING	8, 12, 16
110300	ROLLER	4	111964	SEAL	8, 12, 16
110302	ARM	3	111965	WASHER	8, 12
110303	BEARING	4	111966	BRACKET	7, 11
110305	ROD	3			
110306	SPRING	3	112005	BOX ASSEMBLY . .	7, 11, 15
110307	COLLAR	3			
110309	ARM	3	112012	GASKET	8, 12, 16
			112015	DRAWBAR ASSEMBLY	15
111915	SPACER	8, 12, 15	112017	DRAWBAR ASSEMBLY	15
111916	COLLAR	12, 16	112019	CLEVIS HALF . . .	7, 11
111917	BOX	8, 12, 15			
111919	CAP	8, 12, 16	300066	NUT	3
111921	ROLLER	8, 12, 15			
111922	SPROCKET	12			
111929	MEMBER	7, 15			